

Gasoline and Electric
Vehicles:

• Precedent

Club Protector[®] Kit Installation Instructions

Publication
103203501

Edition Code
0306B0306A

These instructions apply to the following kits:

102586401	102586405	102586411
102586402	102586406	
102586403	102586408	
102586404	102586409	



1

GENERAL INFORMATION AND PRECAUTIONS

This publication provides detailed instructions for installing the club protector[®] kit to the Precedent gasoline and electric vehicle. Thoroughly review this document before any installation procedures are performed.

The following safety statements relate to specific safety issues and must be read, understood, and heeded before a kit is installed. Failure to do so could result in personal injury and/or property damage.

⚠ DANGER

- **Battery – Explosive gases! Do not smoke. Keep sparks and flames away from the vehicle and service area. Ventilate when charging or operating vehicle in an enclosed space. Wear a full face shield and rubber gloves when working on or near batteries.**
- **Battery – Poison! Contains acid! Causes severe burns. Avoid contact with skin, eyes, or clothing. Antidotes:**
 - External: Flush with water. Call a physician immediately.
 - Internal: Drink large quantities of milk or water. Follow with milk of magnesia or vegetable oil. Call a physician immediately.
 - Eyes: Flush with water for 15 minutes. Call a physician immediately.
- **Gasoline – Flammable! Explosive! Do not smoke. Keep sparks and flames away from the vehicle and service area. Service only in a well-ventilated area.**
- **Do not operate gasoline vehicle in an enclosed area without proper ventilation. The engine produces carbon monoxide, which is an odorless, deadly poison.**

⚠ WARNING

- **Follow the procedures exactly as stated in this instruction, and heed all DANGER, WARNING, and CAUTION statements in this instruction as well as those on the vehicle and battery charger.**
- **Only trained technicians should service or repair the vehicle or battery charger. Anyone doing even simple repairs or service should have knowledge and experience in electrical and mechanical repair. The appropriate instructions must be used when performing maintenance, service, or accessory installation.**
- **Prior to servicing the vehicle or leaving the vehicle unattended, turn the key switch OFF, remove the key, and place the Forward/Reverse handle in the NEUTRAL position. Chock the wheels when servicing the vehicle.**

Gasoline vehicles only:

- **To avoid unintentionally starting the vehicle:**
 - Disconnect battery cables, negative (-) cable first (Figure 1, Page 4).
 - Disconnect the spark plug wire from the spark plug.
- **Frame ground – Do not allow tools or other metal objects to contact frame when disconnecting battery cables or other electrical wiring. Do not allow a positive wire to touch the vehicle frame, engine, or any other metal component.**

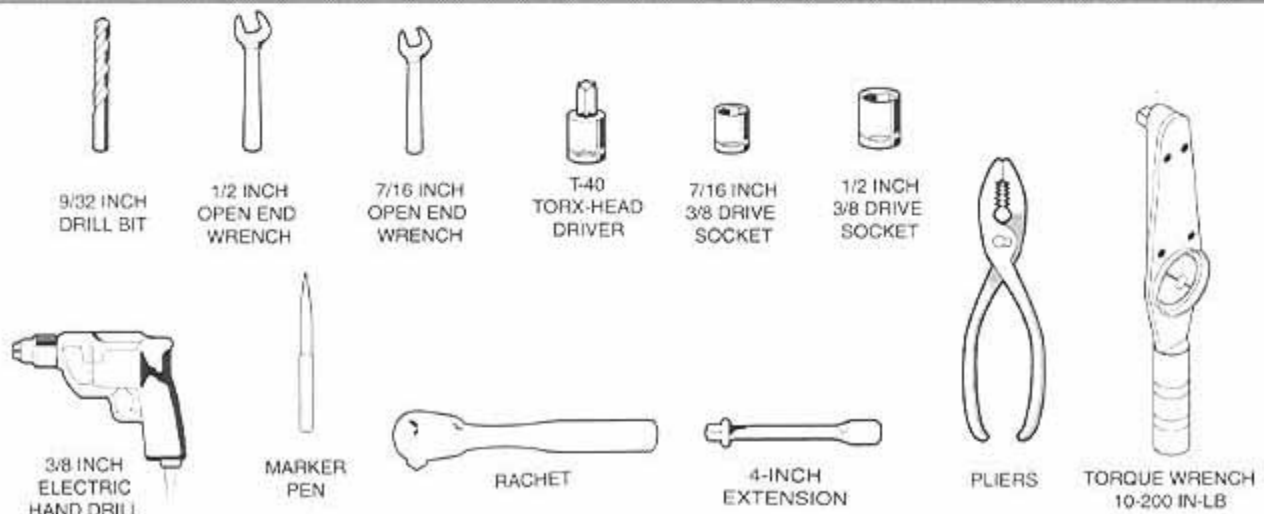
WARNING CONTINUED ON NEXT PAGE...

WARNING**Electric vehicles only:**

- Place Tow/Run switch in the TOW position before disconnecting or connecting the batteries. Failure to heed this warning could result in a battery explosion or severe personal injury.
- To avoid unintentionally starting the vehicle, disconnect the batteries as shown (Figures 1 through 2, starting on page 4).
- After disconnecting the batteries, wait 90 seconds for the controller capacitors to discharge.

All vehicles:

- Wear safety glasses or approved eye protection when servicing the vehicle or battery charger. Wear a full face shield and rubber gloves when working on or near batteries.
- Do not wear loose clothing or jewelry such as rings, watches, chains, etc., when servicing the vehicle or battery charger.
- Moving parts! Do not attempt to service the vehicle while it is running.
- Hot! Do not attempt to service hot engine, exhaust system, or motor. Failure to heed this warning could result in severe burns.
- Use insulated tools when working near batteries or electrical connections. Use extreme caution to avoid shorting of components or wiring.
- Lift only one end of the vehicle at a time. Use a suitable lifting device (chain hoist or hydraulic floor jack) with 1000 lb. (454 kg) minimum lifting capacity. Do not use lifting device to hold vehicle in raised position. Use approved jack stands of proper weight capacity to support the vehicle and chock the wheels that remain on the floor. When not performing a test or service procedure that requires movement of the wheels, lock the brakes.
- If wires are removed or replaced, make sure wiring and wire harness are properly routed and secured. Failure to properly route and secure wiring could result in vehicle malfunction, property damage, personal injury, or death.

TOOLS REQUIRED

4

2. SECURE TRACKING BAR TO THE CANOPY

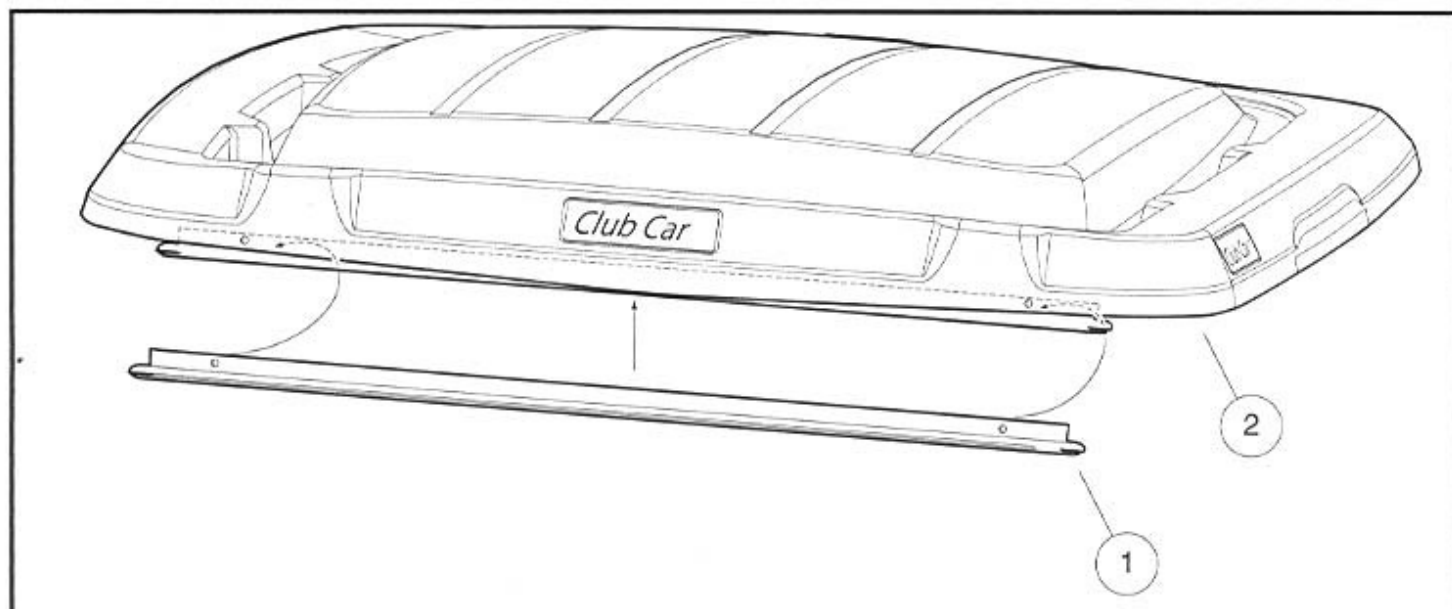


Figure 3 Position the Tracking Bar

- 2.1. Position and center the tracking bar (1) to the inside of the canopy (2) as shown (Figure 3). See following NOTE.

NOTE: When properly positioned, the ends of the tracking bar are under the lip of the canopy and the center of the tracking bar is flush with the lip of the canopy.

Make sure the cylindrical groove of the tracking bar is facing down and to the rear of the canopy.

- 2.2. Mark the location of the holes and drill the two holes with a 9/32-inch drill bit (Figure 4).

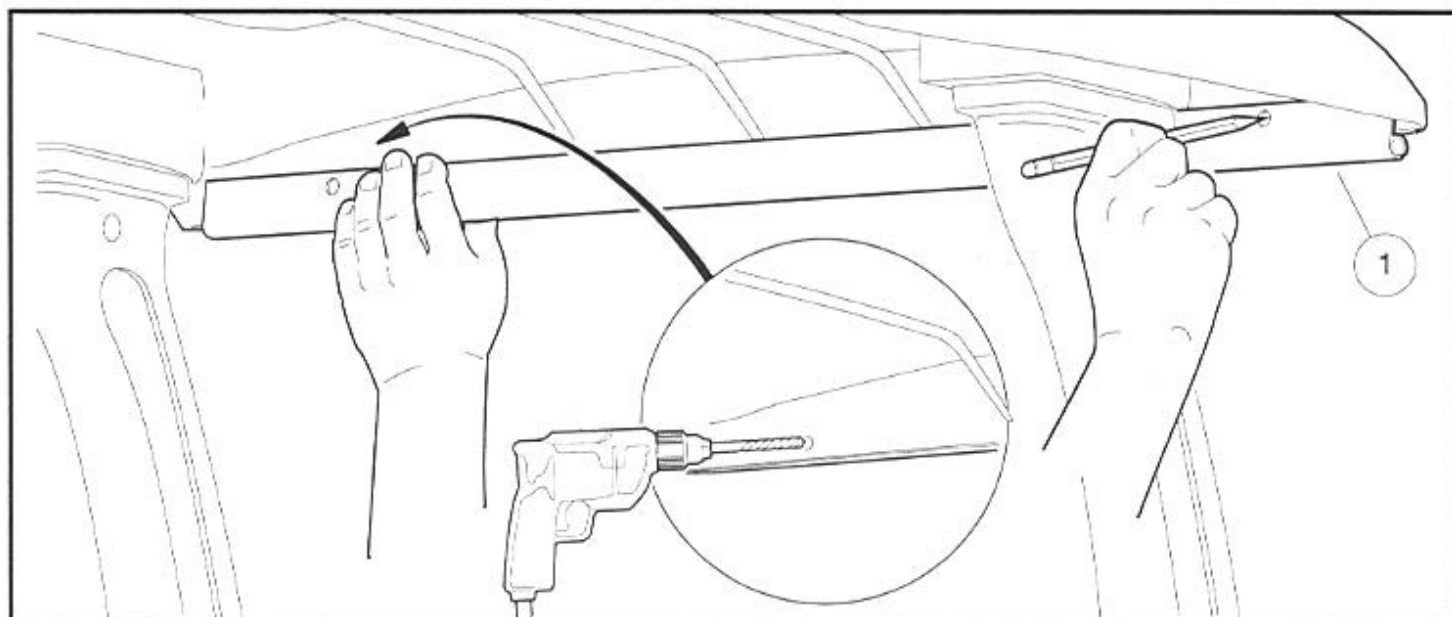


Figure 4 Mark and Drill Holes for the Tracking Bar

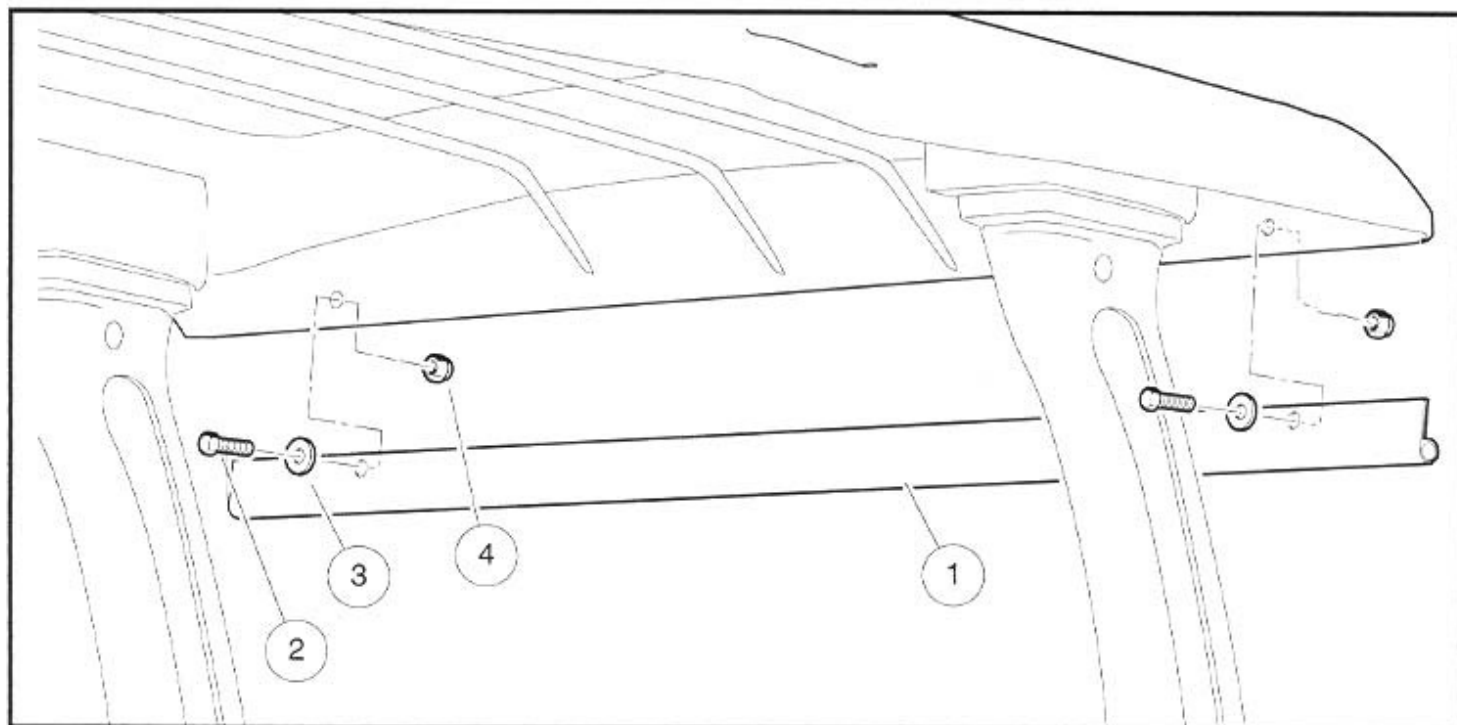
5

Figure 5 Secure Tracking Bar

- 2.3. Secure the tracking bar (1) with two 1/4-20 x 1/2-inch bolts (2), 1/4-inch flat washers (3), and 1/4-20 nylon lock nuts (4) (Figure 5). Tighten the hardware to 45 in-lb (5.1 N·m).

3. SECURE CLUB PROTECTOR[®]

- 3.1. Position the vinyl club protector to the tracking bar, and carefully slide the top (beaded) edge of the club protector into the slot on the tracking bar as shown (Details 1 and 2, Figure 6).
- 3.2. Crimp both ends of the tracking bar with pliers to hold the club protector in place (Detail 3, Figure 6).

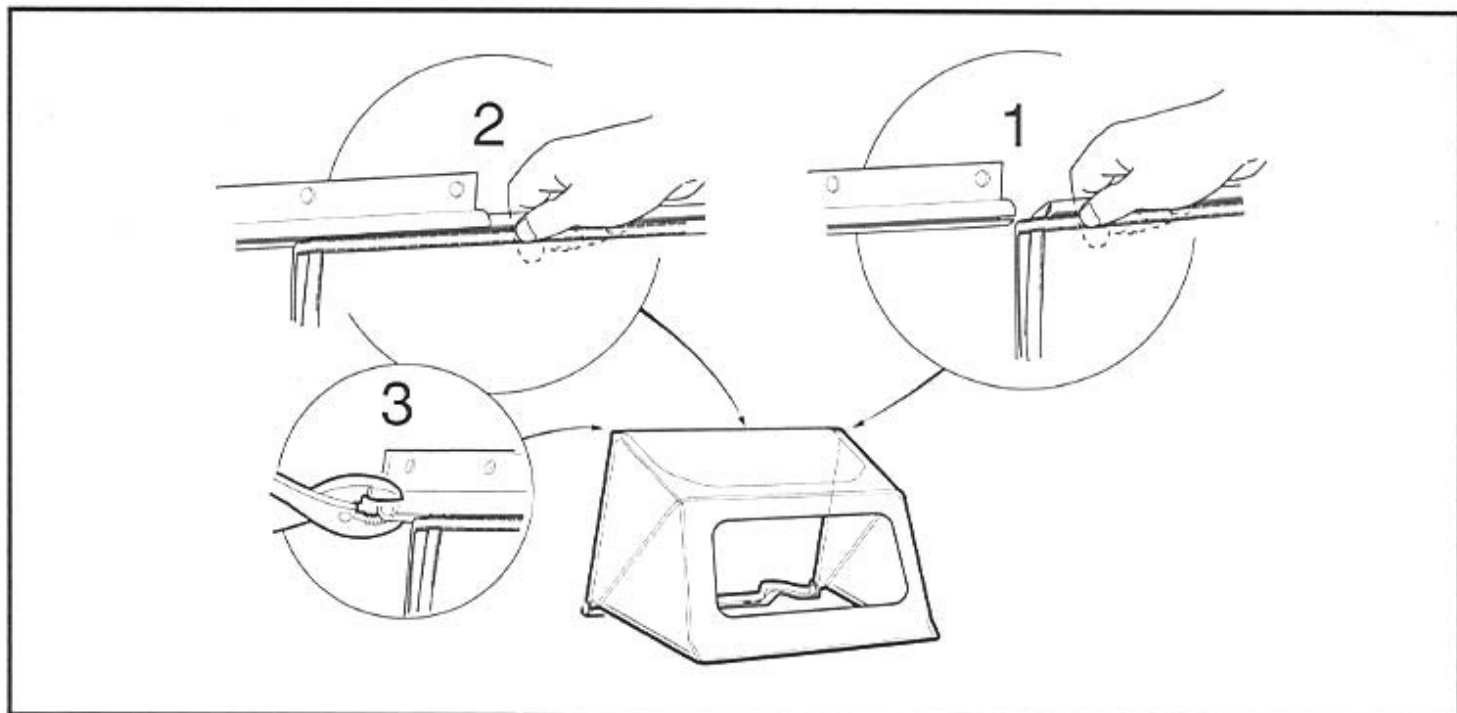


Figure 6 Secure Tracking Bar

6

4. SECURE MOUNTING BRACKET

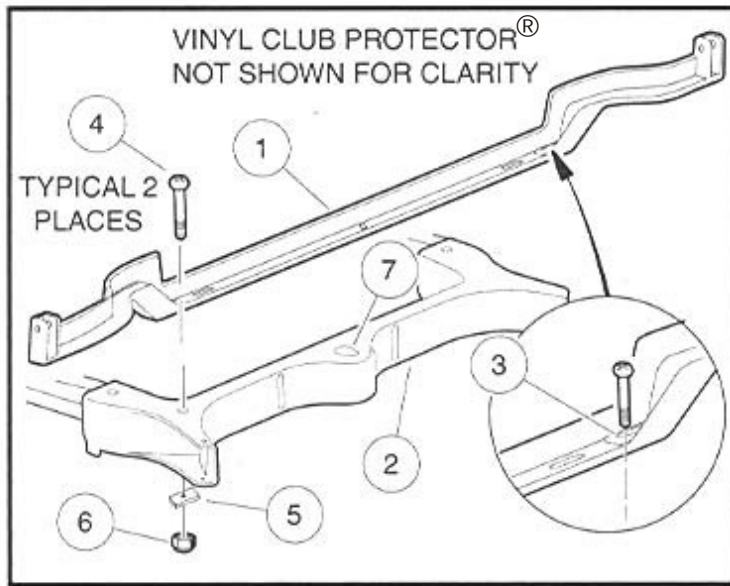


Figure 7 Secure Mounting Bracket to Bag Hoop

- 4.1. Locate the center of the mounting bracket (1) (indicated with white mark) and align the bracket to the center of the bag hoop assembly (2) using the rake holder hole (7) as a guide.
- 4.2. Locate the inside radius (3) of the outer two holes in the mounting bracket and drill two 9/32-inch holes through the bag hoop (Figure 7).
- 4.3. Secure the mounting bracket (1) to the bag hoop with two 2 -1/2-inch long phillips-head bolts (4), two 1/2-inch washers (5), and locknuts (6).

5. CONNECT BATTERY CABLES

⚠ WARNING

- Place Tow/Run switch in the TOW position before disconnecting or connecting the batteries. Failure to heed this warning could result in a battery explosion or severe personal injury.

- 5.1. Connect the battery cables, positive (+) cable first. For gasoline vehicles, tighten hardware to 12 ft-lb (16.3 N·m) (Figure 1). For electric vehicles, tighten hardware to 110 in-lb (12.4 N·m) (Figure 2, page 4). Coat terminals with Battery Terminal Protector Spray (CCI P/N 1014305) to minimize corrosion.
- 5.2. Gasoline vehicles: Connect the spark plug wire to the spark plug.

QUESTIONS

Questions or comments regarding these kit instructions should be referred to your local Club Car dealer or distributor. Please know your vehicle model and have these kit instructions available when you call.

Your Comments Are Appreciated

Please select your category:

- | | |
|--|---|
| <input type="checkbox"/> Distributor/Dealer | <input type="checkbox"/> Technician |
| <input type="checkbox"/> Individual Owner | <input type="checkbox"/> Golf Course Superintendent |
| <input type="checkbox"/> Club Car Associate/Representative | <input type="checkbox"/> Other: _____ |

In order to help us better serve you, please rate this publication in the following categories:

	Poor	Fair	Average	Good	Excellent
1. Ease of Understanding	<input type="checkbox"/>	<input type="checkbox"/>	<input type="checkbox"/>	<input type="checkbox"/>	<input type="checkbox"/>
2. Ease of Finding Information	<input type="checkbox"/>	<input type="checkbox"/>	<input type="checkbox"/>	<input type="checkbox"/>	<input type="checkbox"/>
3. Clarity of Illustrations	<input type="checkbox"/>	<input type="checkbox"/>	<input type="checkbox"/>	<input type="checkbox"/>	<input type="checkbox"/>

Comments/Suggestions

Please fax a copy of this page to (706) 228-2662.

Thank You!

Club Car Technical Publication Department